



2012 Specifications, Rules & Regulations SUPERSTOX

Contents

| | |
|--|----|
| 1. THE FORMULA | 2 |
| 2. TYPE OF RACE CAR..... | 2 |
| 3. VIOLATIONS | 2 |
| 4. PERSONAL SAFETY | 3 |
| 5. SAFETY EQUIPMENT..... | 3 |
| 5.1 CRASH HELMET | 3 |
| 5.2 RACING OVERALLS | 3 |
| 5.3 GLOVES | 3 |
| 5.4 BALACLAVAS | 3 |
| 5.5 NECK BRACE | 3 |
| 5.6 WET WEATHER CLOTHING | 3 |
| 5.7 HEAD RESTRAINT NET | 4 |
| 5.8 1kg FIRE EXTINGUISHER..... | 4 |
| 5.9 COMPETITION STYLE DRIVERS SEAT WITH HEAD RESTRAINT | 4 |
| 5.10 SAFETY HARNESS..... | 4 |
| 6. VEHICLE WEIGHT & BALLAST | 5 |
| 7. CHASSIS IRONWORK & ROLL CAGE | 5 |
| 8. AEROFOIL - ROOF FIN | 8 |
| 9. FRONT SUSPENSION | 8 |
| 10. REAR SUSPENSION | 8 |
| 11. FRONT HUBS & STUB AXLES | 9 |
| 12. WHEEL RIMS | 9 |
| 13. TYRES..... | 9 |
| 14. BRAKES | 9 |
| 15. ENGINE | 9 |
| 15. OIL CATCH TANK | 11 |
| 16. ENGINE SEALING | 11 |
| 17. INLET MANIFOLD | 12 |
| 18. CARBURETTOR | 12 |
| 19. FUEL SYSTEM..... | 12 |
| 20. GEARBOX & FINAL DRIVE..... | 12 |
| 21. EXHAUST..... | 13 |
| 22. COOLING SYSTEM | 14 |
| 23. THE DISTRIBUTOR & IGNITION SYSTEM. | 14 |
| 24. BATTERIES & ELECTRICAL SYSTEM..... | 14 |
| 25. TRANSPONDER | 14 |
| 26. MIRRORS..... | 14 |
| 27. PAINTWORK..... | 14 |
| 28. SUN VISOR..... | 14 |
| 29. ROOF GRADING..... | 15 |
| 30. SPECIFICATION AND RULE CHANGES..... | 15 |
| 31. SCRUTINEERING OF NEW CARS..... | 15 |

1. THE FORMULA

The object of the race is to complete the specified number of laps in the shortest time. You may push a car from behind or spin a car to the inside of the circuit. You must not lean or spin a car into the safety fence or deliberately follow a car into the safety fence on the entry to a bend (whether from the rear or side of the car). Unnecessary baulking of a faster car or attacking the car from the safety infield is not permitted. Actions deemed to be deliberate or dangerous will carry several different types of penalties, this may be being loaded up, a three month ban, banned for a year or even a life time ban.

Racing is in an anti-clockwise direction on a clearly defined circuit with a separate infield. Any wheels passing over the demarcation lines or entering on to the grassed infield areas will mean that the driver will be penalised.

2. TYPE OF RACE CAR.

The Race car must be of an open wheeled chassis design, with a front longitudinally mounted engine, driving the rear wheels. The driver's cockpit must be behind the engine, but in front of the rear axle and be central to the main chassis rails.



3. VIOLATIONS

1. When referring to the engine, gearbox, final drive, mechanical or construction Rules & Regulations, the principle will always be: *Unless permission is specifically granted to make modifications (or any variation) nothing may be done to alter or change the Standard Parts in any way.*
2. It is the responsibility of the Driver to prove to the Promotion that the part is legal, by way of written proof of where the part originated. This must be undertaken within 7 days, otherwise the item in question will be deemed illegal, resulting in immediate suspension from racing & referral for disciplinary action. **Unless the rules say you can do it, you cannot do it!**
3. Presentation of a Vehicle for Scrutineering is a declaration by the entrant that the vehicle is eligible for that event.
4. Car engines & fuel will be checked on a random basis. Violations or refusal to allow an engine check will result in an immediate suspension of all racing facilities.
5. All Car and Engine Specifications will be taken from either the manufacturers Technical Specifications or the Technical Service Data books as published by Glass's Guide.
6. Should a discrepancy occur between the Specifications then the Promotion will exercise its judgement, and that decision will be final.
7. Clarification on any one item may be sought from the Promoter.
8. Each driver is permitted one car per meeting & each car is permitted one driver per meeting.
9. **Not to take part, as a person or allow my competition car, my name or racing number to be used with any other promotion without prior permission from Spedeworth.**

4. PERSONAL SAFETY

Drivers are advised that under Health & Safety, they are responsible for their own and their Mechanic's actions. Promoters have had complaints made about Registered Drivers & Mechanics consuming large amounts of alcohol at meetings, which could effect their judgement or be detrimental to their health, when medical attention has to be administered by Paramedics, St Johns or Hospital Staff.

Should an incident occur that proves fatal on the raceway and you are involved, it is likely that the Police will want interview you. **If you drive, don't drink!** Scrutineers and Officials will report to the Clerk of the Course, anybody they believe is under the influence of Drink or Drugs.

Drivers whom it is thought are under the influence may be breathalysed. You have been warned!

Drivers should line up on the grid with their engines switched off in the correct points order, unless told otherwise.

The Flags

This is to remind drivers of the flag signals as used by the Starting Marshall and Safety Marshalls on track.

- Waved Green Flag – Go, the race has started.
- Waved Red Flag – Stop racing slow down & stop.
- Chequered Flag – Race winner has crossed the line, continue to race until the Red Flag is shown.
- Held Yellow Flag – Beware, you are approaching a hazard on the track, continue to race.
- Waved Yellow – Slow down to 15mph, hold your position, and do not overtake any other cars.
- Waved Blue Flag – Shown to a driver who must hold his racing line. Driver must either hold a line on the inner part of the track or the outer part of the track, not weave between both.
- Blue & White Flag – Give up your track position, you have not taken notice of the Blue flags.
- White Flag with a Blue spot – Oil on the track.
- Waved Black Flag - You are disqualified, pull off the track immediately.
- Black cross on a White board – You have committed an infringement and may be penalised in the results.
- White Flag with a Red Cross – Technical Disqualification, leave the track immediately

5. SAFETY EQUIPMENT

5.1 CRASH HELMET

Helmets must be of a minimum standard as directed by British Oval Racing Safety Executive (B.O.R.S.E). These are FIA8860-2004, Snell SA2005, Snell SA2010, SFI Foundation 31.1A, SFI Foundation 31.2A. The E2205 European standard helmet may be used in Fibreglass, Carbon or Tri-Composite form only i.e. NO POLYCARBONATE helmets are allowed. It is important that the helmet fits the driver correctly. Shatterproof goggles/visors must be worn although tinted visors are not advisable. Your helmet must display the current ORCi (ORC10) sticker

5.2 RACING OVERALLS

You must wear Fire retardant, clean, un-torn and brightly coloured Racing Overalls that are made of a fire retardant material and are clearly marked fireproof. Mechanics are also required to wear clean overalls and will not be permitted on to the track without them being on, when instructed to do so.

5.3 GLOVES

It is Mandatory to wear Fire retardant Gloves also clearly marked fireproof.

5.4 BALACLAVAS

It is Mandatory to wear Fire retardant BalACLAVAS clearly marked fireproof.

5.5 NECK BRACE

A Neck Brace is recommended but not compulsory, so to is a spine support.

5.6 WET WEATHER CLOTHING

Wet Weather clothing is also recommended and must be worn in addition to, and **not** instead of the racing overalls

5.7 HEAD RESTRAINT NET

You may fit a Head Restraint Net on the on the safety fence side of the race car only.

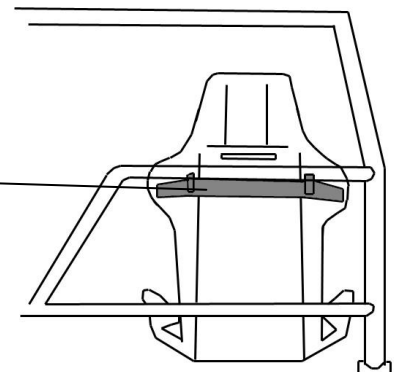
5.8 1kg FIRE EXTINGUISHER

A 1Kg Dry Powder Gauge Fire Extinguisher is highly recommended and if fitted, this should be in a tube with a spring top and should be within easy reach of the driver. Old type BCF (green) type extinguishers are not allowed. All tow vehicles, must carry a minimum of a 2kg fire extinguisher dry powder or gas, which must be within easy reach of the driver and mechanics at all times, especially when refueling.

5.9 COMPETITION STYLE DRIVERS SEAT WITH HEAD RESTRAINT

You must have a Competition type Driving Seat with a head restraint. The seat should occupy its original position where possible and be suitably supported at shoulder height and on both of the sides and back, with a suitable framework or seat stiffener's.

Additional wrap around seat support at shoulder height.



5.10 SAFETY HARNESS

The lap belt/straps and crotch straps should not pass over the sides of the seat, but through it, in order to wrap and hold the pelvic region over the greatest possible surface

It is mandatory to have a 5 point Safety harness with 3" shoulder straps, the lap & crutch straps can be either 2" or 3" in width.

All seatbelt connection points must be visible and no belts must pass through any firewall.

Following research made by leading safety harness manufacturers, information has been made available

with regard to the best way to fit your safety harness;

this will further ensure your safety. Please study the diagrams to ensure your safety harness is fitted correctly.

The lap belt crossing should be below the anterior-superior iliac spines (bony part of the hip). Under no circumstances should it be worn over the region of the abdomen.

Lap belt/straps **must terminate vertically downwards**, and not forwards or rearwards of the hip joint. Lap straps should terminate symmetrically about the wearer on either side of the seat, about 20" (500mm) apart. The distance between the seating surface and the anchorage point should be kept to a minimum to prevent submarining. The location of the crotch strap mounting should be to the rear of the driver.

Fig.1 shows the location for the tail straps, which should be horizontal to 20° below horizontal, and as close to the shoulder as is practical for optimum restraint.

Only safety belts comprising of separate shoulder, lap, and sub-straps will be permitted.

The sub-strap must be used at all times, and all belts must connect to the quick release buckle. The abdominal strap

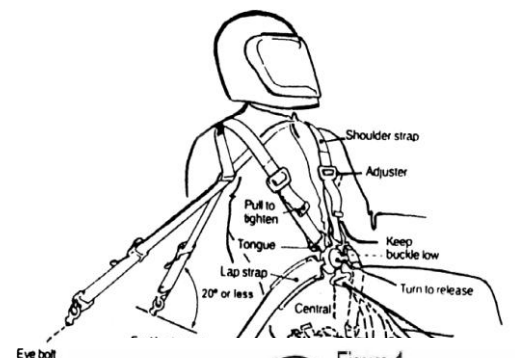
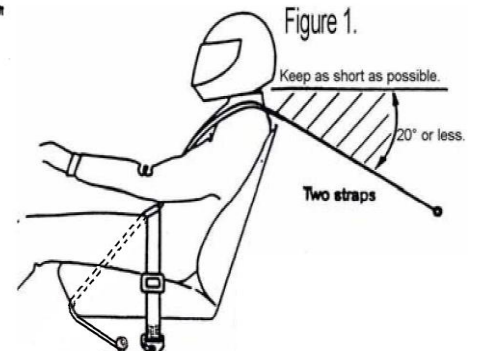


Figure 1.



fixing point must be on the chassis, roll cage, or floor (for vehicles with no chassis), either side of the driver.

The shoulder straps must be supported at shoulder height. NASCAR type buckles must be fitted with lever on the **right** side of the driver. It is advisable to fit a secondary means of detent to prevent overall sleeves accidentally unhooking the buckle during racing. A small section of tube grip **elasticated** bandage, slid over the hooked buckle, serves the purpose.

Special attention must be paid to the condition of seat belt fixings once fitted. Information is available, from your Promotion, on the correct procedure to follow when fitting seat belts. *Remember - your life depends on them, and belts, once involved in a severe accident, should be discarded and replaced.*

Over the years, we have had many unnecessary injuries due to badly fitted seats. They frequently occur in Non-contact Formulas, when perhaps a driver believes it is more unlikely that he will be involved in a serious crash, and he also believes that, if he is involved in a collision, the impact on his car will be from the front. However, this is often not the case. It is therefore, imperative that you ensure your seat is really well supported, especially where the shoulder straps go through. You must also ensure that your seat cannot move sideways.

The safety of your seat will be judged by the Scrutineers and you will only be permitted to race when they are satisfied that you will be as safe as possible in any event.

6. VEHICLE WEIGHT & BALLAST

1. The Race car must not weigh less than 650kg.
2. The Race car must not weigh more than 712kg.
3. Ballast is not permitted & all iron work must be in equal proportions on both sides of the car in both construction & gauge.
4. The left hand side maximum side weight must be 52.5% at any time - this will be weighed without the driver in the car.

| Underweight Vehicle Bans | |
|--------------------------|-------------------------|
| Car Underweight by: | Banned From Racing For: |
| 0.001kg – 1.0kg | 1 month |
| 1.001kg – 2.0kg | 2 months |
| 2.001kg – 3.0kg | 3 months |
| 3.001kg & over | 6 months |

7. CHASSIS IRONWORK & ROLL CAGE.

Key: SHS - Square Hollow Section - CHS – Circular Hollow Section

Chassis

1. The Chassis must be constructed of mild steel with a wall thickness of 3mm. No molychrome or T45 steel to be used anywhere on the Race car.
2. The Chassis must consist of two main chassis rails made from 50x50mm or 2"x2" SHS mild steel. An 8mm hole must be drilled approximately 300mm or 12" back from the front wishbones, rear mounting in the side of the left-hand chassis rail for Scrutineering purposes. (The hole may be plugged by a plastic insert).
3. The *maximum* width the main Chassis rails can be are 737mm or 29" apart.
4. The main Chassis rails must be parallel to each other along the whole length of the Chassis; if they are 29" at the front then they must be 29" at the centre of the rear axle. You cannot off-set or dog-leg the main Chassis.
5. The main Chassis rails when viewed from the side must be positioned above the horizontal centre line, drawn between the front & rear wheel centres.
6. The height of chassis rails must as prescribed, so as to allow the bumpers to be attached to them. NB. Bumper centre height is 432mm or 17" ± 13mm or ½", measured at the bumpers centre, without the driver.
7. The Chassis rails must terminate past & above the front & rear axle centres, when viewed from the side.
8. At no point can the main chassis rails drop below the horizontal centre line drawn between the front & rear wheel centres.
9. The Race car must have a welded steel under-chassis, minimum size 25x25x3mm SHS or 25mm CHS, whose wall thickness must be a min 2.5mm & maximum thickness of 3mm.
10. Bracing of the under chassis may be of any thickness or size.

Bumpers

1. Front & Rear bumpers must be fitted & consist of a vertical flat surface 100mm or 4" deep. A hole 8mm in diameter must be drilled in the front & rear bumpers, for inspection purposes. If two lengths of metal make up the bumper then a 8mm hole must be drilled in each length. Ultrasonic thickness testing of the Chassis will also occur, but on a random basis.
2. The bumper must be no wider than the outer track of the tyres & no narrower than a centre line drawn through the centre of the tyres.
3. All bumpers must have rounded edges.
4. Both front & rear bumpers must measure at their centres, 432mm or 17" \pm 13mm or $\frac{1}{2}$ ", from the centre of the bumpers flat vertical surface to the ground, without the driver being in the car and as it is presented. At no time can any other liquids be added to the Race car to bring it within the weight..
5. The bumper may be welded or bolted to the main chassis rails. If welded, it must be on all sides. If bolted, a minimum of four 13mm diameter high tensile bolts per bumper must be used. NB. The front bumper must also have a secondary fixing of chain (8mm minimum diameter link thickness), with an 8mm "D" Shackles acting as the chain joiners.
6. The front bumper must have a hoop fitted to the fence side of the bumper which must be between 152mm or 6" & 381mm or 15" measured above the top of the bumper iron.
7. The driver's left-hand rear bumper to the chassis may be strengthened by a piece of 3mm wall thickness tube or box.
8. This rear corner may also have an upright post or hoop added, as per the front bumpers dimensions.
9. Bumpers must be made from 3mm thick mild steel only. The use of 3mm wall thickness tube is permitted but only on the bumper hoops & support.

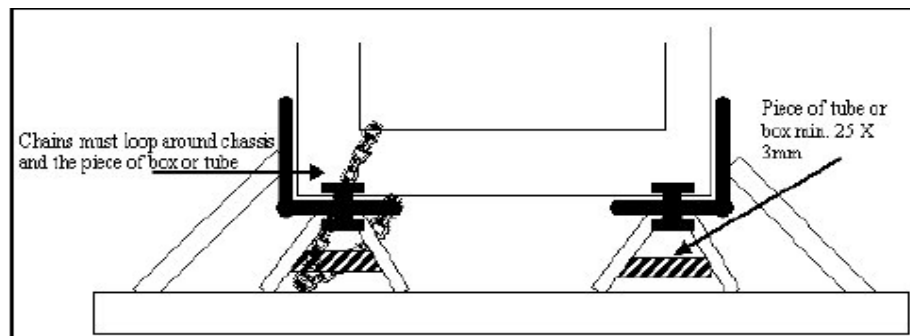
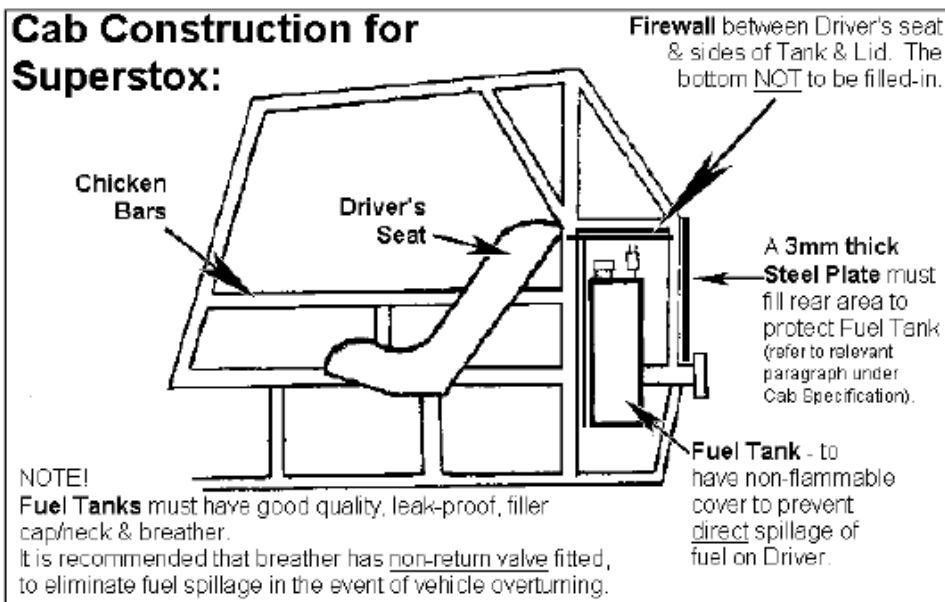


Diagram for the suggested mounting of the front bumper

Roll Cage.

The minimum roll cage requirements appear below, but it must be constructed as an integral part of the chassis.

1. The cage minimum requirement is 38x38mm SHS or 38mm CHS, with a wall thickness of 3mm.
2. The front pillars must be raked a minimum of 15° to a maximum of 50°, back from the vertical.
3. Two roll cage hoops, either running from front to rear or side to side.
4. Two roll cage hoop connecting bars.
5. There must be at least a 100mm or 4" of clearance between the drivers head and the roll bars.
6. Gusset plates are strongly recommended on all joints.
7. A 3mm thick plate must fill in the top of the roll cage roof & extend to the top edge of the radius of the roll hoop pillar. The plate must be welded on all its sides & have one 8mm hole drilled in it, as close to the centre of the plate as is possible for Scrutineering purposes.
8. Two chicken bars (one each side) must be fitted between the front & rear pillars.
9. The chicken bars must be 304mm or 12" above the main chassis rails or 737mm, 29" from the ground to the top of the chicken bar.
10. The chicken bars must have a minimum of two down connecting bars made from tube or box using either 25x25x3mm, 32x32x2.5mm or 38x38x2.5mm.



Cab Specifications.

19. The Cab must be at least 711mm or 28" wide between the chicken bars at the driver's seat.
20. The *minimum* size of the Cab side openings is 457mm or 18" in width by 406mm or 16" in height.
21. The Cab floor must be completely filled in up to the seat with metal. *See also point 7.*
22. If the Cab floor is below the chassis, the sides must be filled in & braced to prevent the driver's legs or feet going outside or the Cab.
23. A metal firewall must exist between the front of the Cab & the Engine Bay.
24. A metal fire wall must exist between the rear of the seat and the fuel tank, including the filler cap. *See diagram.* NB. The bottom of the tank must be left open for spillage purposes.
25. A 3mm plate must be welded directly behind the fuel tank to protect it from rear impact damage. The plate must be welded on all four sides & be a *minimum* of 304mm or 12" high, above the main chassis rails.
26. The driver's seat must be of a competition type with suitable side supports and a headrest. The seat base must not be less than 305mm or 12" from ground level.
27. The back of the seat/headrest must be at least 254mm or 10" from the rear of the Cab. NB. The rear of the Cab being a vertical line from where the roll cage hoop meets the main chassis rails.
28. The seat must be securely fitted to the centre of the chassis and not leaning side to side & attached to the roll cage at shoulder height.
29. A steel plate, minimum thickness 3mm, must be fitted below the seat & welded to the chassis or bolted to the seat. It must be the full width of the seat base & a minimum of 203mm or 8" in length. The purpose of the plate is to protect the driver's posterior from the prop-shaft, should it break!
30. Any part of the prop-shaft not covered by the seat plate must be covered by a suitable metal covering.
31. A steel hoop must be fitted around the prop-shaft to catch it in the event of either end of the prop-shaft breaking.
32. The only part of the underside of the Race car that may be covered in metal is the area between the firewall & the front of the driver's seat, to a width of the main chassis rails.
33. A sump guard may be fitted but it must not overlap the width & length of the sump by more than 76mm.

Side Irons

1. These must be constructed of 3mm thick mild steel in either tube, box or channel section & be of equal proportion in construction on both sides of the Race car.
2. The side irons must be level with the outside edge of the tyres \pm 38mm.
3. The side irons must be 100mm or 4" in depth & run horizontally at bumper height between the front & rear wheels with a minimum return each end of 50mm or 2".
4. A *minimum* of two supports with a 3mm wall thickness is allowed from off of the main chassis to the side irons. Any other supports may be of any size or gauge.
5. The side irons must not terminate more than 203mm or 8" from the tyres outer circumference.
6. The style or shape of the side irons is free.

Rear Wheel Guards

1. Both rear wheels must be fitted with guards so as to prevent the wheel becoming detached from the hub.
2. A piece of spring steel is the ideal material, and it must be mounted so that the front facing section of the leaf is located inside of the side iron and the rear of the leaf is attached to the rear bumper. See diagram.
3. Cold bending of the spring is only permitted method, no heating or welding is permitted, otherwise it will upset the temper or the material.
4. High tensile fixing bolts must be used either end with a *minimum* diameter of 13mm.

8. AEROFOIL - ROOF FIN

An aerofoil is defined as one wing & two side fins. No other aerodynamic aids are permitted anywhere on the Race car.

1. A single fin plate mounted centrally on the roof with the racing number on it is permitted.
2. Two fin plates positioned either side of the roof with the racing number on them is permitted.
3. Fin plate numbers must be 229mm or 9" high by 38mm or 1½" in width, **plain** black numbers on a **plain** white background. Please ensure they are correct. **No Holographic numbers or background**
4. An aerofoil made from aluminium or fibreglass can also be used, but its maximum dimensions must not exceed 1219mm or 48" in breadth and 457mm or 18" in depth.
5. Side fin plates must be located horizontally on the aerofoil & be identical in position.
6. The maximum size of the fin plates is 660mm or 26" in width by 305mm or 12" in height.
7. The side fins must not cover any part of the side window aperture
8. The aerofoil must be mounted centrally on the roof so that any overhang is in proportion, either side of the roof.
9. The aerofoil front edge must not be any further forward than the front edge of the rear tyre.
10. The aerofoils front edge must not be positioned any further back than 914mm or 36" from the tyres front edge.
11. The aerofoil can use steel brackets to mount it, but it must not be mounted any higher than 305mm or 12" above the roof.
12. The aerofoil must be positioned horizontally on the roof & not look lopsided.
13. No part of the wing or fin plates must obstruct the drivers entrance or exit area, must be behind or above.

9. FRONT SUSPENSION

1. Each corner of the car is only allowed one shock-absorber.
2. As from January 1st 2011; any readily available shock absorber with a purchase price ***not exceeding £95 + VAT may be used. There will be, however, be provision for any licensed Superstox driver to purchase the shock absorbers from a fellow competitor's car for a maximum price of £127.50 per unit.***
3. ***Shock absorbers must be as from the manufacturer, ie; Gaz shocker must remain with Gaz components including oil, No interchanging of parts or oil.***
4. Any type of suspension is allowed, but suspension arms must be made of steel.
5. When a beam axle is used its axle centre datum, must line up with the centre line of the chassis.
6. The maximum front track width, which is measured on the centre line of the front axle, at the lower outer edge of the tyre is 1727mm or 68".

The wishbones and the front / rear track, may be checked by the Scrutineers at anytime.

10. REAR SUSPENSION

1. The only rear axle permitted is the Ford unit as fitted to the Cortina, Capri or Escort.
2. The half-shafts must be the semi-floating bearing type as fitted to the axle, in their original position & with the bearing retaining collars welded.
3. The axle casing must be fitted centrally in the Race car chassis \pm 25mm or 1". On the occasion that a bent axle tube is replaced, it must be to the original specification with the exception of the material thickness.
4. The axle casing must not be modified in any way to achieve Camber change or rear steer.
5. All axle link bars must be made out of mild steel tube or box, not aluminium
6. Any type of fixed adapter or spacer fitted to the hubs, shafts or wheels is not permitted.
7. Any type of spacer to alter the rear track is not allowed.

8. The maximum rear track width, which is measured on the centre line of the rear axle, at the lower outer edge of the tyre, is 1727mm or 68".
9. Differentials may be locked by welding or remain un-locked.

11. FRONT HUBS & STUB AXLES

1. It is *not* permitted to use any stub axle with a fixed bearing spindle, as is the Cortina, unless approval is sought. A Cortina type replacement, available from Randall Motorsport, has been approved for use.
2. Any Modified hub, production, or purpose built hub, or stub axle (not including the Cortina) is permitted, but it must be made of steel and it can only use a steel wheel rim to a maximum width of 5½ J.
3. Both front hubs must be *identical*. i.e. whatever is on the NSF must be a mirror image on the OSF.

12. WHEEL RIMS

1. The wheel rims must be made of Steel only, No alloys are allowed
2. The wheel off-set must be equal on the same axle, but they can be different on the axle's front to rear.
3. The maximum rim width on the rear is 8".
4. Front Modified hubs (see above for definition, it includes the Sierra hub) can only have a rim width to a maximum of 5½ J.
5. Front un-modified Sierra hubs can be up to a maximum of 8".

13. TYRES

1. Only the Hoosier HSPRT 24.0 x 6.0 x 13 tyres can be used.
2. Tyre side wall identification marks must not be removed.
3. Tyre buffing is not permitted.
4. Tyre softener is not permitted.
5. Tyre cutting is not permitted.

Tyre Ruling: One new tyre per meeting may be used, along with any 4 old tyres that have been previously used and declared (except at Eastbourne & Northampton where you may use more old tyres). These used tyres MUST appear in the drivers tyre history. Just because a tyre has been previously declared does not make it a used tyre, this will be the Scrutineers decision. The only exceptions to this is Major Championships where the number of new tyres allowed will be confirmed prior to the Championship meeting.

New drivers may use 4 new tyres for their first meeting but must start at the rear of the grid for their first 3 meetings.

Wet Meetings: If the Steward of the Meeting declares a wet race/meeting, upto 4 new tyres may be used, but these MUST have been declared on the tyre declaration sheet prior to the start of the meeting.

14. BRAKES

1. Must operate efficiently on all four wheels and can be of any type. Biased braking is permitted, but aluminium calipers are not permitted. Four pot brake calipers are not permitted. Competition pads may be used. Only steel discs or drums are permitted. (Drilling of disc/drums is permitted) .

15. ENGINE

The engine must be fitted between the two parallel chassis rails whereby the carburettor / inlet manifold, must not protrude past the outer edge of the chassis rail.

Block / Crankcase

1. The only engine permitted is the Ford 2 litre SOHC Pinto, whose bore is 90.84 mm & stroke is 77mm.
2. The block maybe re-bored to a maximum of 1.5mm.
3. Sleeving back to 90.84mm is permitted, as well as re-boring the sleeve, to the maximum of 1.5mm oversize.
4. The bore size racing tolerance of 0.005" is permitted, when in-line measured with the crank.
5. The Cylinder block maybe decked, but the pistons must not protrude above the blocks face.
6. Core plugs maybe secured with a secondary fixing.
7. The inside of the crankcase may be painted
8. Standard Ford, Payen & including the standard American Gaskets, are the only ones to be used anywhere on the engine.
9. No competition gaskets are allowed on the engine or ancillaries.

Pistons

1. Pistons must be standard or standard replacements e.g. Schmidt, Mahle, Hepolite, Wellworthy & Associated Engineering (Federal Mogul)..
2. Piston crowns must not be skimmed & markings must remain on the crown for identification purposes.
3. Pistons must not protrude above the block face.
4. Three Pistons may be balanced by spot machining, the fourth piston must be original & untouched.
5. Pistons and or Gudgeon pins must not be modified in anyway, apart from the spot machining of the piston.
6. Any make of Piston Ring may be used, providing there is no machining of the pistons or rings.

Connecting Rods

1. No forged steel rods are allowed.
2. Three Con-rods may be spot machined on their counter weight balance pad area, at the big & small ends, but the fourth rod must remain original and untouched.
Con-rod bolts may be changed but the rods must not be modified in anyway to accept them

Crankshafts

1. The standard Crank must be used.
2. Cross-drilled shafts are not permitted.
3. Oil way holes on each journal can be relieved.
4. You cannot alter the number of bearings, or fit bearings of less than the minimum width.
5. Over-size shell bearings of standard or heavy duty materials are allowed.
6. Tufriiding & Nitriding of the shaft is permitted, but polishing is not.
7. No forged steel cranks are permitted
8. Cranks may be balanced, but by spot machining only. N.B. Spot machining means either, hand grind, drill or machine.
9. The Standard pulleys on the crank & auxiliary shaft must be used.

Flywheel

1. Only the 2 litre flywheel can be used, no 1600cc ones are to be used after the end of May 2008.
2. Flywheels must be dowelled to the crankshaft.
3. The 2 litre flywheel may be lightened, NO HOLES or SLOTS its minimum weight is 12.7kg, this includes the clutch assembly, dowels & bolts.
4. The flywheel may be balanced by spot machining only.
5. Steel flywheels are not permitted but are being considered for 2010.
6. No competition clutches are allowed.

Cylinder Head

1. Any 2 litre casting is allowed
2. The head face may be skimmed.
3. **Material must not be added or removed from the ports or combustion chamber, it should remain as standard.**
4. Valve guides may be fitted but they must be the Ford replacement type, but not the bronze or competition types.
5. The use of thin wall bronze inserts in existing guides is permitted.

6. Inlet Valves must be standard; their length must be 110.65 – 111.65mm. with a head diameter of 42mm. N.B On standard Inlet Valves only, where the back of the valve meets the valve seat, there may be a slight lip, this may be ground away at a 30° angle, to a maximum width of 2.5mm.
7. Exhaust Valves must be standard; their length must be 110.10 – 112.05mm. with a head diameter of 36mm.
8. Any single or double valve spring may be used & the head modified to allow the springs to fit.
9. You must use the standard valve spring caps & collets
10. You may replace the ball studs for a complete set of the extended type.
11. When valve seat inserts have been fitted, the lower edge of the insert, where it meets the throat of the port, can have this sharp edge only blended in.
12. **Upto three angle valve seats are permitted - angle 1 - 45° / angle 2 - 30° / angle 3 – 60-65°**
13. The centre camshaft cap maybe re-enforced.

Camshafts

1. Camshafts are free & may also be of the centre drilled type.
2. The spray bar may be removed & a splash shield may be fitted.
3. An adjustable type cam wheel or off-set keys are allowed.
4. The standard length 2 litre cam belt & its tensioner must be used, which must not be modified in any way.
5. Roller cam bearing are not allowed.
6. Rocker arms are free, but no roller rockers are allowed.
7. Rocker arms may have the ends nipped.
8. Heavy duty rocker finger retaining springs are allowed.

Lubrication System

1. A High pressure oil pump may be used but not be a high capacity type pump.
2. Dry or semi-dry sumps are not allowed.
3. Oil galleries in the block & head must remain un-modified.
4. The oil pick-up pipe must terminate within the sump.
5. Sumps may be modified to hold more or less oil & may be baffled to prevent surge.
6. The oil filter must have a secondary fixing & the filter must occupy its original position.
7. Oil coolers may be fitted in the engine compartment only, using the sandwich plate between the filter & the block.

15. OIL CATCH TANK

1. A 0.5 litre oil catch tank (no drink cans or bottles) must be fitted in the engine bay.
2. The tank may have a minimum of 2 breather pipes connected to it: one from the rocker box & one from the crankcase.
3. Ineffective tanks during racing or practice will mean the car being withdrawn from the event.

16. ENGINE SEALING

Spedeworth: We may at any time require your engine or other parts to be sealed. This may or may not mean your engine / parts will automatically be stripped or checked. It could be that we wish to monitor your performance or seek clarification on an item. It is normal to strip engines at all major championships unless they run consecutively in which case by agreement with Spedeworth, stripping may be postponed.

Driver: Drivers wishing to have their engines sealed may do so. It will require two people (one may be an official, the other a Scrutineer) to be present at the final stages of a build & it will incur a charge based on the time & distance travelled. If this option is taken at a major championship your engine will not require stripping, unless seals have been broken. Seals can only be removed by Spedeworth officials & if they are removed without permission the engine / parts will be deemed to be illegal & the Driver suspended pending a Board of Control meeting. If any engine/ parts are sealed because Championship events are within a period, which may exclude that Driver due to a rebuild, the Driver with Spedeworth's agreement, postpone stripping for three meetings.

It is the Drivers responsibility to make provision for the sealing of the engine by drilling 1.5mm sealing holes in the following bolts / nuts & marked them with red paint for identification purposes:

Either side of the Sump
Two Head bolts, if not covered wholly by a rocker / cam cover.
Two Inlet manifold bolts
Two Rocker / Cam cover bolts
The Bell housing

17. INLET MANIFOLD

1. Must remain as standard, the faces cannot be faced to alter the angle of the manifold or the carburettor.
2. No inlet port matching from the Carburettor flanged face will be permitted or from the manifold ports to the head.
3. No material may be added or removed from the gas-flow area.
4. Water holes may be blanked off.
5. A stabiliser bar may be fitted to support the manifold.

18. CARBURETTOR

1. Only the Weber n32/36 DGV or DGVA carburettor may be used with a maximum sized chokes of 26mm and 27mm.
2. No polishing or re-profiling is allowed.
3. No modifications to the carburettor body or the original design.
4. Gaskets must be the original or pattern replacement, with no modifications made to them.
5. The Insulation block & two gaskets must be fitted between the carburettor and manifold. Max thickness 5mm.
6. All jets, emulsion tubes and Venturi's may be replaced with different ones of the same type.
7. Accelerator pump jets may be changed, but the outlet of spray beak must face down towards the throttle butterflies.
8. Throttles may be modified to open together.
9. Cold starting devices may be removed & the holes blanked off.
10. Air & fuel galleries may not be enlarged or modified.
11. Floats may not be modified or weighted and must control fuel flow.
12. Float chamber needle valves may not be modified or be larger than 250.
13. The calibrated brass bush which controls the high speed enrichment, fitted on the Secondary choke side of the carburettor between the top and the carburettor base, may be sealed off or enlarged, but it must be fitted.
14. The power valve in the base of the float chamber may be sealed off & the diaphragm removed.
15. A grub screw or similar device may be used to secure the auxiliary venturi to the carburettor body.
16. A secondary fixing is required on the fuel feed to the carburettor.
17. Sealing wire holes must be drilled in the appropriate places.
18. No trumpets are allowed.
19. The interchanging of the carburettor top from other Weber models is not allowed.

19. FUEL SYSTEM

7. All fuel tanks must be made of metal & have a positive means of fixing.
8. The tank must be mounted behind the driver, between the chassis rails and have a maximum capacity of 18 litres.
9. Fuel tank caps must be of the metal screw on type, no push fit caps are allowed.
10. The fuel tank & cap must be covered by a complete metal fire wall.
11. The fuel outlet must be from the top of the tank.
12. A breather pipe; which should incorporate a one-way valve, must be fitted or a vent pipe terminating below the tank.
13. All fuel pipes must be inside the race car.
14. If a floor exists under the tank, there must be four 50mm drain holes in case of spillage. It is advised that the bottom area of the tank be left open.
15. A fuel shut off tap must be within easy reach of the driver.
16. A single electric pump may replace a mechanical one.
17. Fuel regulators are permitted.

20. GEARBOX / FINAL DRIVE

1. The only gear boxes permitted for use are the single rail, 2.0 Litre Cortina type 4 – speed gear boxes, including 4 – speed P100 and 1600 Sierra / 1600 Cortina. It must be fitted as manufactured.
2. Gears must not be changed or altered, i.e. no removal of gears or components, and no straight cut or close ratio gear sets.

- The only exception is that the gear change assembly may be altered; this may include part of the tailshaft housing associated with the gear change only. Aluminium bell housings are permitted, unmodified. A clutch is required, and must be operated by a pivot arm from the outside of the bell housing.

Differentials:

- Differentials may be free or locked only; the use of limited slip, power lock, torque twist, torque bias, or any type of competition diff, is not allowed.

Note: The 5 speed Sierra box may be used and the above rules will apply.
The MT75 box is not permitted.

All Oval Racing Formulae

Permitted fuel specification from 1st January 2008 (this specification supersedes all previous specs).

- All cars must only use fuel from roadside pumps as defined below.
Petrol, (Motor Gasoline of the type on sale to the general public from roadside filling stations), BS 4040 (Leaded). Subject to a valid permit for use, LRG (Unleaded), BS EN 228 (Unleaded), BS7800 (Super Unleaded).
- Petrol is a product refined from crude oil that contains a large number of identifiable compounds that can typically be 250 in number. These compounds can be identified and compared to the available petrol from major oil companies and suppliers.
Unless otherwise stated, or the distinction is made between leaded and unleaded petrol, major gasoline fuel shall meet the following; Acceptance levels for Octane numbers will be determined at 95% confidence level. Only additives to this motor gasoline fuel solely for the purpose of lead replacement are allowed.
- Lead Replacement Gasoline, LRG, also known as LRP. Only additives from Sodium, Phosphorous, Potassium, or Manganese according to manufacturer's recommendations are allowed. Note; Manganese can enhance octane values in any petrol. Under no circumstances will values in excess of 0.005 grams/litre be permitted.
Lead in excess of EU directive 98/70EC requirements is illegal.
- We reserve the right to amend the detail of the above specification to reflect any change occurring in the quality of the fuel on sale to the general public at any time.

Roadside fuel consistency when testing fuel samples

| | BS EN 228 | BS 7800 | BS 4040 | LRG/LRP | Test Standard |
|-----------------------|---------------|---------------|---------------|---------------|----------------------------|
| Motor Oct No (max) | 89.0 | 89.0 | 89.0 | 89.0 | ASTM D2700/86 |
| Mon (min) | 85.0 | 86.0 | 86.0 | 86.0 | ASTM D2700/86 |
| Research Oct No (max) | 100.0 | 100.0 | 100.0 | 100.0 | ASTM D2699/86 |
| Ron (min) | 95.0 | 97.0 | 97.0 | 97.0 | ASTM D2699/86 |
| Lead (max) | 0.005 | 0.005 | 0.15 | | ASTM D3341 / IP362 |
| Lead (min) | ASTM D3237 | ASTM D3237 | | 0.005 | ASTM D3237 / D3341 / IP362 |
| Density @ 15° | 0.720 - 0.775 | 0.720 - 0.775 | 0.720 - 0.775 | 0.720 - 0.775 | ASTM D1298/ D4052 |
| Oxygen % max | 2.7% w/w | 2.7% w/w | 2.7% w/w | 2.7% w/w | Elemental |
| Nitrogen % max | 0.1% w/w | 0.1% w/w | 0.1% w/w | 0.1% w/w | ASTM D4629/ IP379 |
| Benzene % max | 1.0% v/v | 1.0% v/v | 1.0% v/v | 1.0% v/v | EN238 |
| Sulphur | 150mg/kg | 150mg/kg | 150mg/kg | 150mg/kg | EN ISO 14596 / ASTM D2622 |
| Olefins* | 18% v/v | 18% v/v | 18% v/v | 18% v/v | ASTM D1319 |
| Aromatics* | 42% v/v | 42% v/v | 42% v/v | 42% v/v | ASTM D1319 |

* Olefins and Aromatics values are expressed as a percentage of total fuel.

21. EXHAUST

- Exhaust manifolds are free, but they must be positioned outside the main chassis rails on the offside of the car.
- A silencer must be fitted outside of the main chassis of the car.

3. The silencer as well as reducing noise must have the original pipe work protruding from each end of the box
4. The length of the silencer tail pipe, from the end of the box to the end of the tail pipe, has a maximum length of 75mm or 3"
5. The silencer must be of the following type: A Simpson MS500.
6. The exhaust system, including the box must not exceed £ 345 plus VAT & be freely available to any one.
7. Where the exhaust passes the cockpit or cab, the exhaust system must be covered with a metal heat shield.

22. COOLING SYSTEM

1. Radiators are free.
2. The Cooling system must be contained within the engine compartment i.e. between the chassis rails, with the radiator positioned in front of the engine.
3. The water flow circuit must terminate forward of the drivers cab, 152mm from the floor.
4. Crankshaft / water pump drive belt is free.

23. THE DISTRIBUTOR & IGNITION SYSTEM.

1. The standard 2 litre Pinto distributor Bosch or Motorcraft must be used.
2. The standard Ford points or electronic ignition using a conventional coil should be used, but as an alternative the Lumination system may be used with the standard ignition coil..
3. No engine management systems are allowed.
4. No multi-spark ignition systems are permitted.
5. The mechanical & vacuum advance may be altered.
6. The vacuum unit may be removed from the distributor.

24. BATTERIES & ELECTRICAL SYSTEM

1. Batteries must be securely mounted in trays, not battery boxes & covered with a rot proof material, if they are not of the sealed type.
2. Battery position is free if fitted between the chassis rails.
3. Batteries fitted outside the main chassis rails, must be fitted against the side of the main chassis rails.
4. Oversized batteries must not be used as ballast.
5. A batter master switch must be mounted on the dashboard & clearly marked ON & OFF.
6. If an electric fuel pump is used a cut off switch must be positioned within easy reach of the driver so as to isolate the pump.
7. A starter motor must be fitted & working at all times.
8. Contact between the battery & safety harness must not be possible.

25. TRANSPONDER

1. The timing transponder must be fitted to the left hand chassis rail, 1.8m back from the front of the race car.

26. MIRRORS

1. A rear view mirror is allowed but is not compulsory.
2. Door mirrors if fitted, must not be more than 76mm from the cab.

27. PAINTWORK

1. The external appearance of the car must look professional at all times, drivers of scruffy looking cars will be told to improve their appearance & may not be allowed to race.
2. A maximum of two cars may be painted in team colours or painted to look similar, unless it is required by the Promoter for a particular team event.
3. 100% of the roof must be painted in the correct roof grading unless you are a Superstar or a current Championship holder, when the roof must be painted accordingly.
4. Sign writing must be professional and be approved by the Promoter.

28. SUN VISOR.

1. A Sun visor 165mm or 6" in depth **can be fitted** to the front screen aperture with your name written upon it.

.29. ROOF GRADING

1. All roof grade champions must start at the rear of the Grid, unless told otherwise by an official.
2. If you win a race at a meeting; you will start the remaining races from the rear of your grade. Should you win another race at the same meeting – you will be automatically upgraded.
3. Champions should start in the order of the list below, but multi-Champions will start next to the World Champion.

Grid Line up / Roof Order:

- White
- Yellow
- Blue
- Red
- Superstar (Red, White & Blue Stripes)
- Silver Roof – Current National Points Leader
- English Champion – Cross of St George
- Scottish Champion – Cross of St Andrew.
- Irish Champion – Green Cross
- National Champion – Gold Stripe, placed to one side on the grading roof colour.
- British Champion – Black & White Chequers.
- European Champion – Red & Yellow Chequers.
- Gold Roof – World Champion.

30. SPECIFICATION AND RULE CHANGES

The Promotion may at any time make amendments to the Specifications for the following reasons:

- In the interests of Safety
- Reduce costs for the driver
- In areas that are detrimental to the future of the formula
- If an unnecessary advantage has been deemed.

Current registered drivers will be notified automatically of any changes.

31. SCRUTINEERING OF NEW CARS

All new cars must be Scrutineered prior to its first meeting. Arrangements must be made with Spedeworth to bring the car along to a Stadium on the day of an event and then your car will be Scrutineered